



# PIANO MOVE

design meneghello paoelli  
associati

~~~~~  
Un incontro perfetto tra caos e ordine: laddove tutto nasce. Un concetto atavico strutturato in un radiatore dal design moderno e accattivante.






~~~~~  
The perfect encounter between chaos and order: where everything comes to life. A concept from our ancestral past has taken the form of a radiator featuring a modern, captivating appearance.



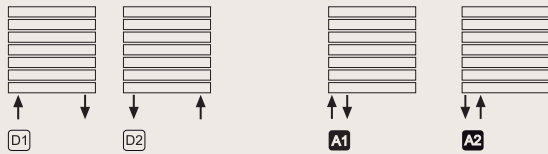
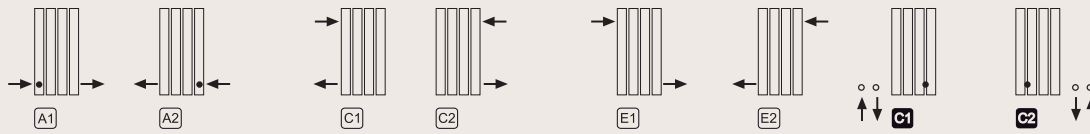
*Finitura fotografata in queste pagine:  
RAL 9016 opaco.*

*Finish photographed on these pages:  
RAL 9016 matt.*

# PIANO MOVE

hxb (cm)	n numero elementi/ elements number	peso a vuoto/ weight empty (kg)	volume d'acqua/ water volume (dm <sup>3</sup> )	a (cm)	c (cm)	d (cm)	e (cm)	Qs resa termica/ thermal yield t 50°C (watt)	Q potenza elettrica/ electrical power (watt)	versione mista/ combined version	fissa/ not opening	fissa/ not opening
												
<b>verticale/vertical</b>												
60,0x36,7	3	5,8	0,47	50,0	5,0	-	-	319	-	-	•	-
60,0x48,8	4	7,7	0,63	50,0	5,0	-	-	425	-	-	•	-
60,0x61,0	5	9,6	0,79	50,0	5,0	-	-	531	-	-	•	-
60,0x73,1	6	11,6	0,94	50,0	5,0	-	-	637	-	-	•	-
60,0x85,3	7	13,5	1,10	50,0	5,0	-	-	743	-	-	•	-
60,0x97,4	8	15,4	1,26	50,0	5,0	-	-	849	-	-	•	-
60,0x109,6	9	17,4	1,41	50,0	5,0	-	-	955	-	-	•	-
70,0x36,7	3	6,8	0,53	60,0	5,0	-	-	361	-	-	•	-
70,0x48,8	4	9,1	0,70	60,0	5,0	-	-	481	-	-	•	-
70,0x61,0	5	11,4	0,87	60,0	5,0	-	-	602	-	-	•	-
70,0x73,1	6	13,6	1,05	60,0	5,0	-	-	722	-	-	•	-
70,0x85,3	7	15,9	1,22	60,0	5,0	-	-	842	-	-	•	-
70,0x97,4	8	18,2	1,40	60,0	5,0	-	-	962	-	-	•	-
70,0x109,6	9	20,4	1,57	60,0	5,0	-	-	1083	-	-	•	-
90,0x36,7	3	8,9	0,63	80,0	5,0	-	-	444	-	-	•	-
90,0x48,8	4	11,8	0,84	80,0	5,0	-	-	592	-	-	•	-
90,0x61,0	5	14,8	1,05	80,0	5,0	-	-	740	-	-	•	-
90,0x73,1	6	17,7	1,26	80,0	5,0	-	-	888	-	-	•	-
90,0x85,3	7	20,7	1,47	80,0	5,0	-	-	1036	-	-	•	-
90,0x97,4	8	23,6	1,68	80,0	5,0	-	-	1184	-	-	•	-
90,0x109,6	9	26,6	1,89	80,0	5,0	-	-	1332	-	-	•	-
130,0x36,7	3	13,0	0,84	120,0	5,0	-	-	605	-	-	•	-
160,0x36,7	3	16,0	1,00	150,0	5,0	-	-	723	-	-	•	-
190,0x36,7	3	19,1	1,16	180,0	5,0	-	-	840	-	-	•	-
190,0x48,8	4	25,5	1,55	180,0	5,0	-	-	1121	-	-	•	-
190,0x61,0	5	31,9	1,93	180,0	5,0	-	-	1402	-	-	•	-
190,0x73,1	6	38,3	2,32	180,0	5,0	-	-	1682	-	-	•	-
<b>orizzontale/horizontal</b>												
36,6x70,0	3	6,8	0,53	60,0	5,0	-	-	235	-	-	-	•
48,7x70,0	4	9,1	0,7	60,0	5,0	-	-	315	-	-	-	•
60,8x70,0	5	11,4	0,87	60,0	5,0	-	-	391	-	-	-	•
36,6x90,0	3	8,9	0,6	80,0	5,0	-	-	289	-	-	-	•
48,7x90,0	4	11,8	0,84	80,0	5,0	-	-	385	-	-	-	•
60,8x90,0	5	14,8	1,05	80,0	5,0	-	-	481	-	-	-	•
36,6x190,0	3	19,1	1,19	180,0	5,0	-	-	547	-	-	-	•
48,7x190,0	4	25,5	1,55	180,0	5,0	-	-	729	-	-	-	•
60,8x190,0	5	31,9	1,93	180,0	5,0	-	-	911	-	-	-	•

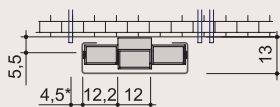
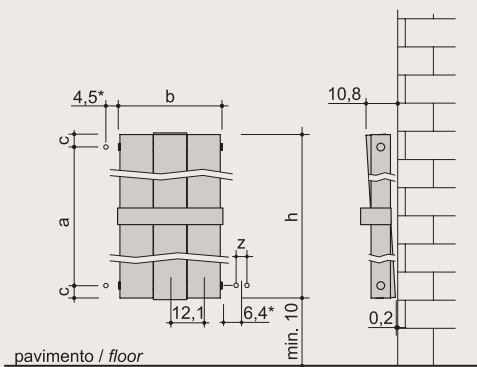
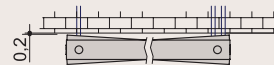
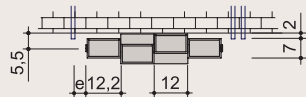
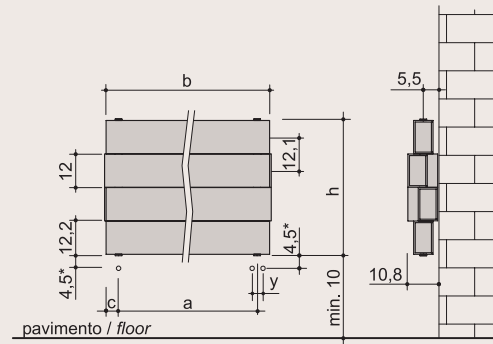
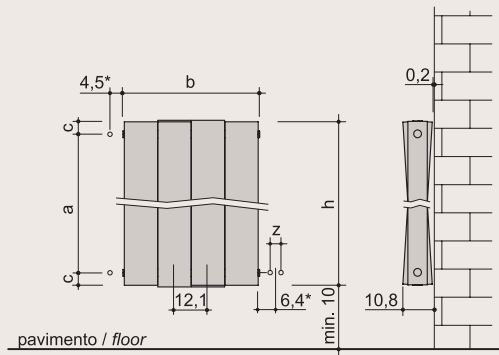
Per connessioni di tipo:  
For connections type:



● = posizione diaframma  
position of the diverter

Xn = allacci per impianti bitubo  
/connections for double-pipe plants

Xn = allacci per impianti monotubo  
/connections for mono-pipe plants



\*

utilizzando valvole Ridea

y.

attacco per impianto monotubo

interasse 4,0 cm per tubi rame,

multistrato e ferro filettato

utilizzando valvole Ridea

Z.

attacco per impianto monotubo

interasse 3,5 cm per tubi rame,

multistrato e ferro filettato

utilizzando valvole Ridea

\*

using Ridea valves

y.

connection for single pipe

4,0 cm centre to centre distance

for copper, multilayer and iron

threaded pipes using Ridea

valves

Z.

connection for single pipe

3,5 cm centre to centre distance

for copper, multilayer and iron

threaded pipes using Ridea

valves