

Tubone V

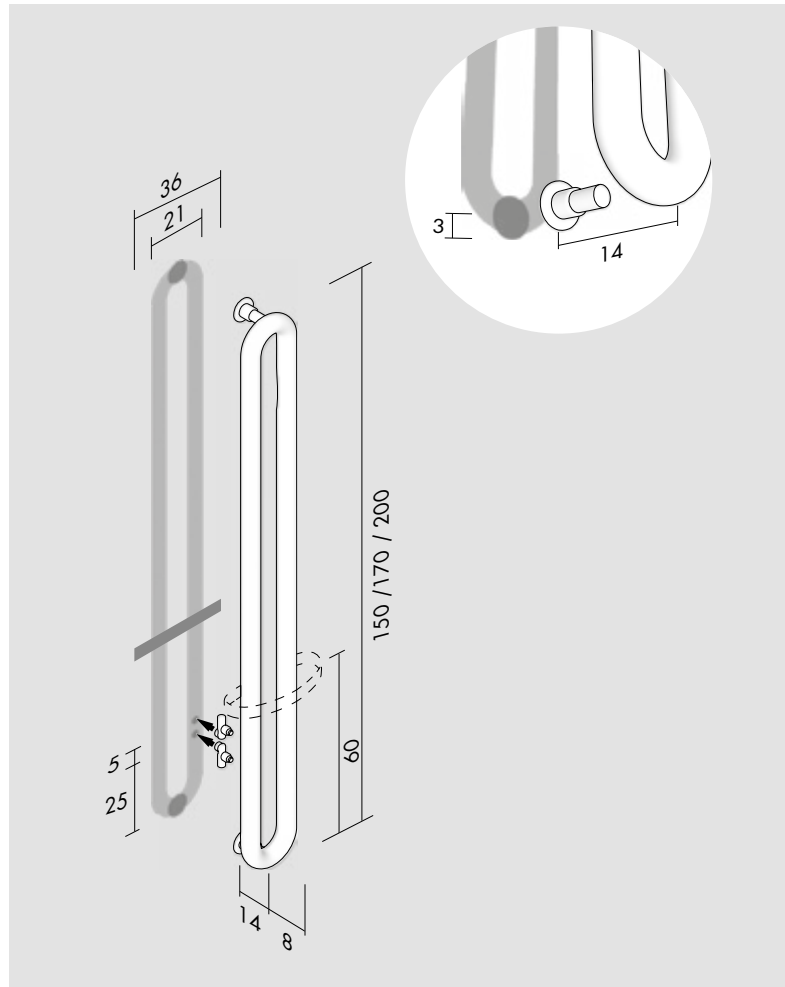
DESIGN ANDREA CROSETTA

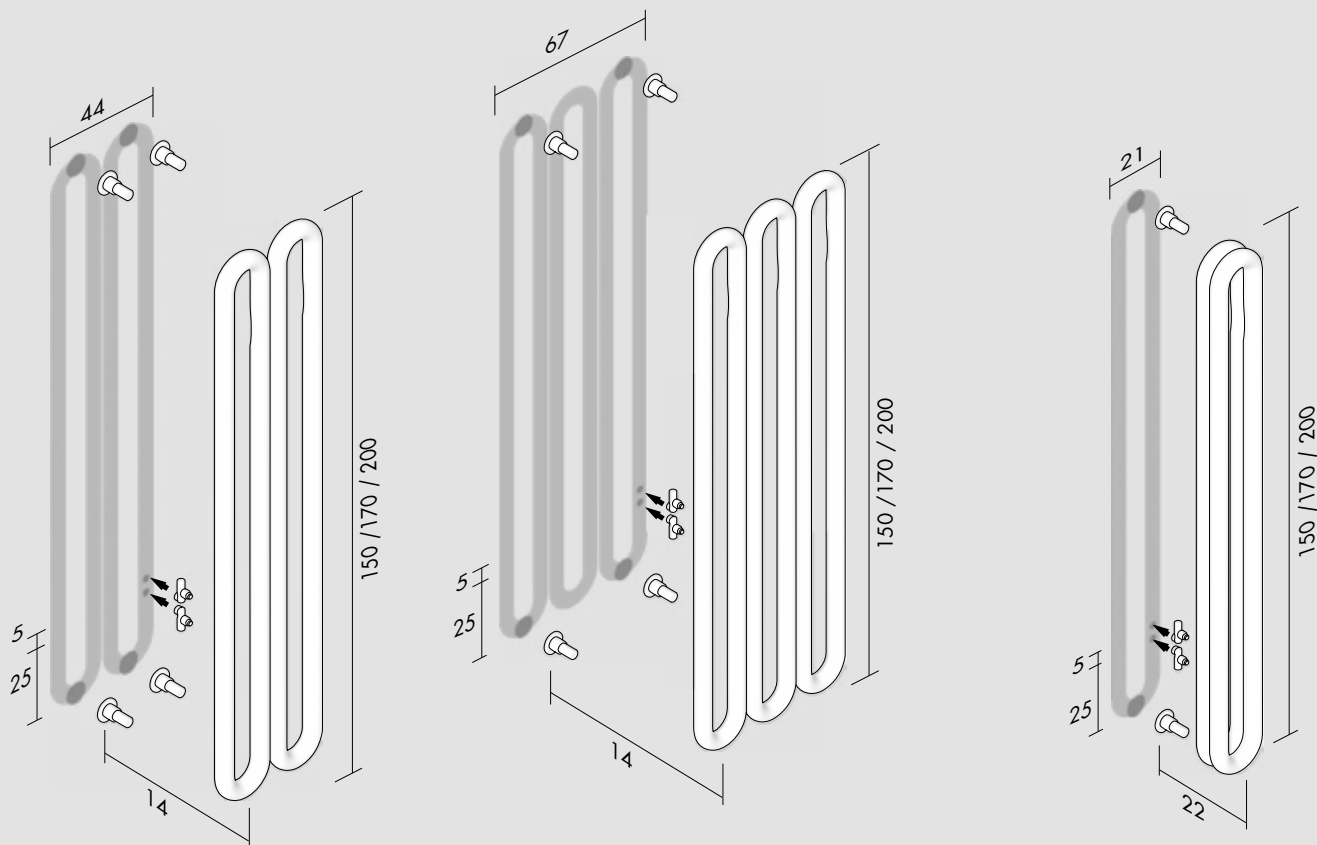


Kcal = Watt x 0.860
 BTU = Watt x 3.413

Watt Δt 60° = Watt Δt 50° x 1.251
 Watt Δt 40° = Watt Δt 50° x 0.760
 Watt Δt 30° = Watt Δt 50° x 0.534
 Watt Δt 20° = Watt Δt 50° x 0.325

p max = 6.5 bar





Tubone V

H cm	L cm	I* cm	art*	Lt*	watt Δt 30°	watt Δt 50°
150.0	21.0	5.0	TNVS150001_	7.0	173	324
150.0	44.0	5.0	TNVS150002_	14.0	346	648
150.0	67.0	5.0	TNVS150003_	21.0	519	972
170.0	21.0	5.0	TNVS170001_	7.9	196	367
170.0	44.0	5.0	TNVS170002_	15.9	392	734
170.0	67.0	5.0	TNVS170003_	23.8	588	1 101
200.0	21.0	5.0	TNVS200001_	9.3	231	432
200.0	44.0	5.0	TNVS200002_	18.7	461	864
200.0	67.0	5.0	TNVS200003_	28.0	692	1 296

**Vertical overlapped / Verticale superposé /
Übereinander stehen / Vertical sobrepuesto**

H cm	L cm	I* cm	art*	Lt*	watt Δt 30°	watt Δt 50°
150.0	21.0	5.0	TNVD150001_	14.0	262	491
170.0	21.0	5.0	TNVD170001_	15.9	302	565
200.0	21.0	5.0	TNVD200001_	18.7	350	655

Standard



(P* = 203)
"S" Valve
Vanne "S"
"S" Ventil
Válvula "S"

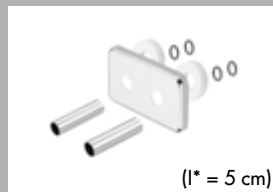
[BIAN] **X385B**
[CROM] **X385R**

Optional



Thermostatic head
Tête thermostatique
Thermostatkopf
Cabezal termostático

[BIAN] **TTB**
[CROM] **TTR**



Sleeving kit
Kit couvre tuyau
Rosetten
Kit cubre tubo

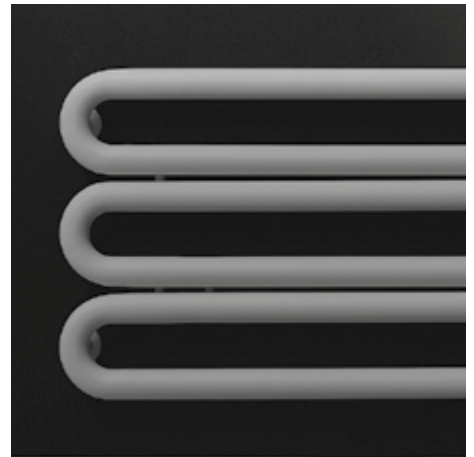
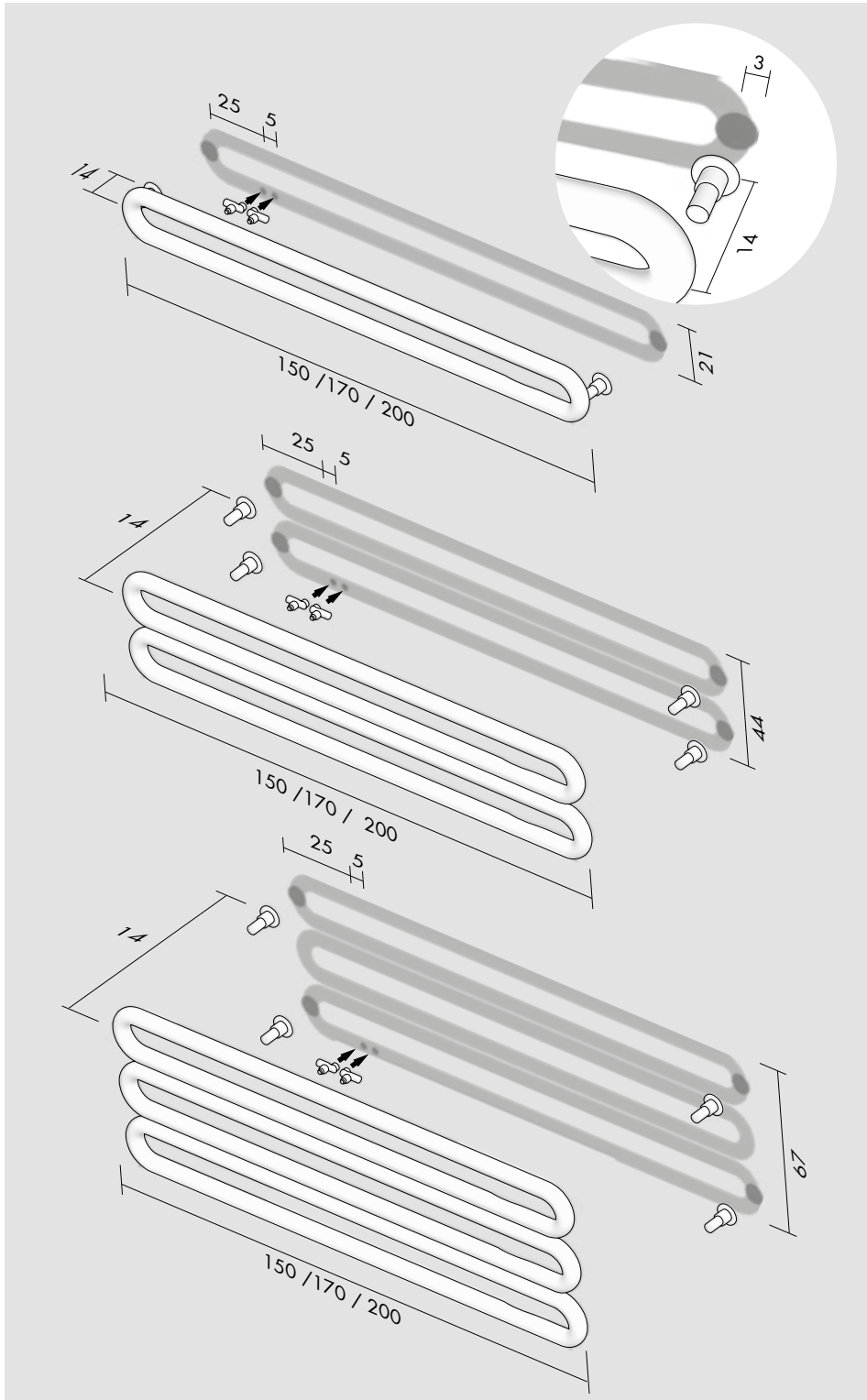
[BIAN] **C5B**
[CROM] **C5R**



Towel bar
Porte-serviettes
Handtuchhalter
Porta toallas

[CROM] **STBR**
[COLOUR] **STBC**
[GOLD] **STBG**

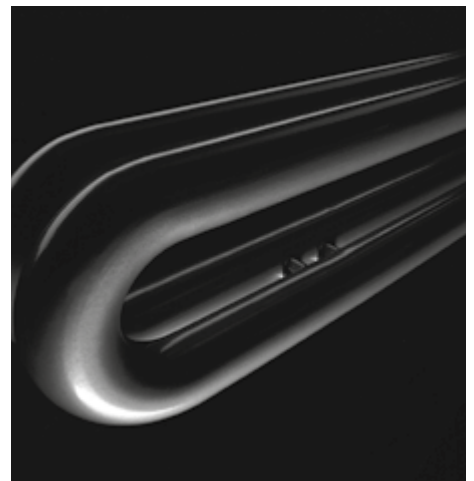
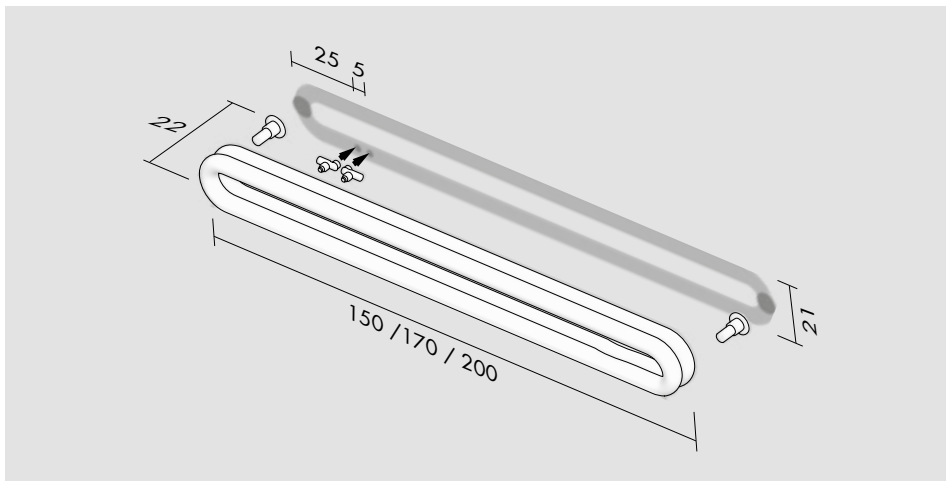
art* = item / modèle / Artikel / artículo I* = pipe centres / distance entre depart et retour / Achsabstand / distancia entre las conexiones
Lt* = water content for each element / volume d'eau pour chaque element / Wassergehalt für Element / contenido de agua por cada elemento
P* = page / page / Seite / página



Kcal = Watt x 0.860
 BTU = Watt x 3.413

Watt Δt 60° = Watt Δt 50° x 1.251
 Watt Δt 40° = Watt Δt 50° x 0.760
 Watt Δt 30° = Watt Δt 50° x 0.534
 Watt Δt 20° = Watt Δt 50° x 0.325

p max = 6.5 bar

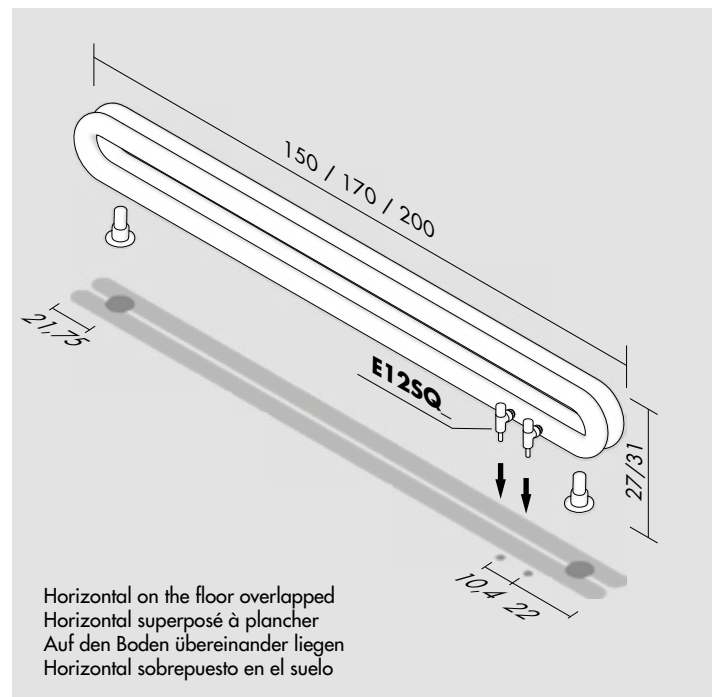


Tubone O

H cm	L cm	l* cm	art*	Lt*	watt Δt 30°	watt Δt 50°
21.0	150.0	5.0	TNOS150001_	7.0	194	364
44.0	150.0	5.0	TNOS150002_	14.0	389	728
67.0	150.0	5.0	TNOS150003_	21.0	583	1 092
21.0	170.0	5.0	TNOS170001_	7.9	220	412
44.0	170.0	5.0	TNOS170002_	15.9	441	825
67.0	170.0	5.0	TNOS170003_	23.8	661	1 237
21.0	200.0	5.0	TNOS200001_	9.3	259	485
44.0	200.0	5.0	TNOS200002_	18.7	519	971
67.0	200.0	5.0	TNOS200003_	28.0	778	1 456

Horizontal overlapped / Horizontal superposé / Übereinander liegen / Horizontal sobrepuesto

H cm	L cm	l* cm	art*	Lt*	watt Δt 30°	watt Δt 50°
21.0	150.0	5.0	TNOD150001_	14.0	290	543
21.0	170.0	5.0	TNOD170001_	15.9	328	615
21.0	200.0	5.0	TNOD200001_	18.7	387	724



Horizontal on the floor overlapped / Horizontal superposé à plancher / Auf den Boden übereinander liegen / Horizontal sobrepuesto en el suelo

H cm	L cm	l* cm	art*	Lt*	watt Δt 30°	watt Δt 50°
21.0	150.0	10.4	TNOP150001_	14.0	290	543
21.0	170.0	10.4	TNOP170001_	15.9	328	615
21.0	200.0	10.4	TNOP200001_	18.7	387	724

Standard



"S" Valve
 Vanne "S"
 "S" Ventil
 Válvula "S"

[BIAN] **X385B**
 [CROM] **X385R**



Angled Valve
 Vanne équerre
 Eckausführung Ventil
 Válvula a escuadra

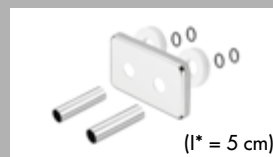
[BIAN] **E12SQB**
 [CROM] **E12SQR**

Optional



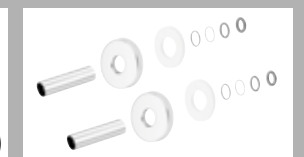
Thermostatic head
 Tête thermostatique
 Thermostatkopf
 Cabezal termostático

[BIAN] **TTB**
 [CROM] **TTR**



Sleeving kit
 Kit couvre tuyau
 Rosetten
 Kit cubre tubo

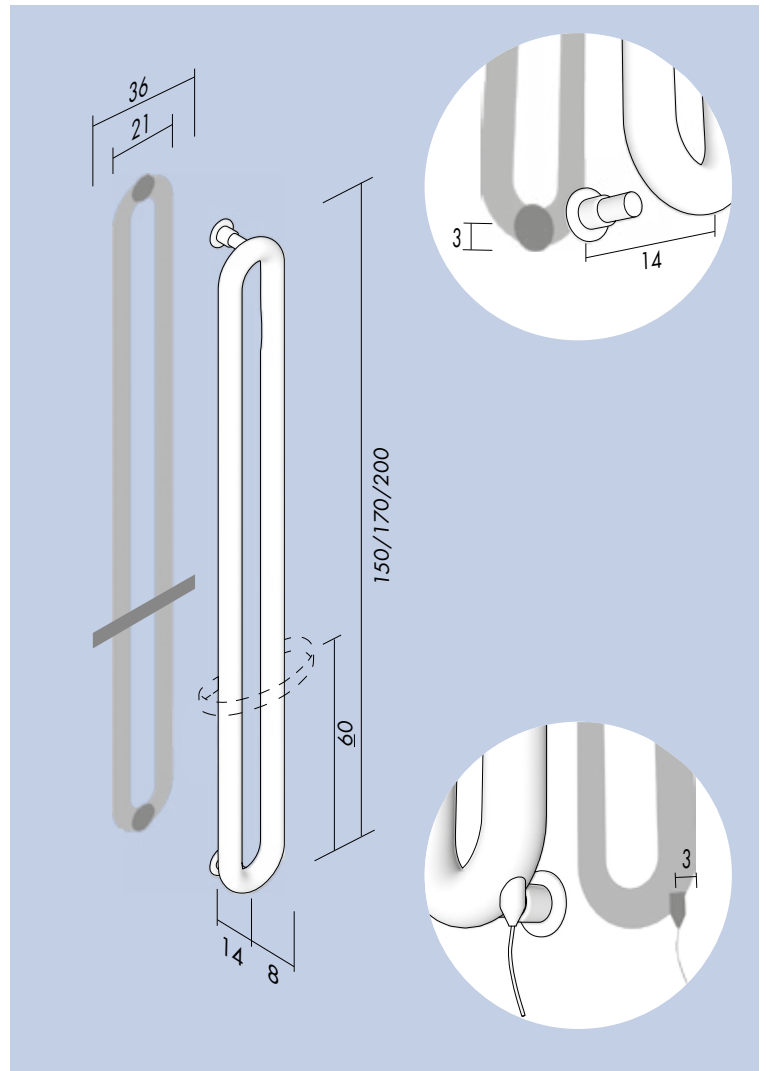
[BIAN] **C5B**
 [CROM] **C5R**



$\varnothing \leq 16$ mm
 [BIAN] **CTB**
 [CROM] **CTR**

$16 \text{ mm} < \varnothing < 24$ mm
 [BIAN] **CWB**
 [CROM] **CWR**

art* = item / modèle / Artikel / artículo **l*** = pipe centres / distance entre depart et retour / Achsabstand / distancia entre las conexiones
Lt* = water content for each element / volume d'eau pour chaque element / Wassergehalt für Element / contenido de agua por cada elemento
P* = page / page / Seite / página



H cm	L cm	art*	watt
150.0	21.0	EC TNVS150001_	200
170.0	21.0	EC TNVS170001_	275
200.0	21.0	EC TNVS200001_	300

Optional



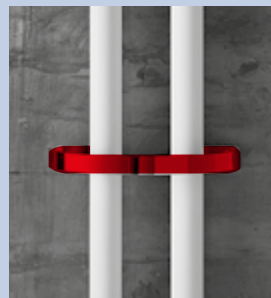
Receiver
Récepteur
Empfänger
Receptor

R10



Digital chronothermostat
Chronothermostat digital
Der digital Chronothermostat
Cronotermostato digital

T10



Towel bar
Porte-serviettes
Handtuchhalter
Porta toallas

[CROM] **STBR**
[COLOUR] **STBC**
[GOLD] **STBG**