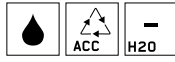


# BDO 13

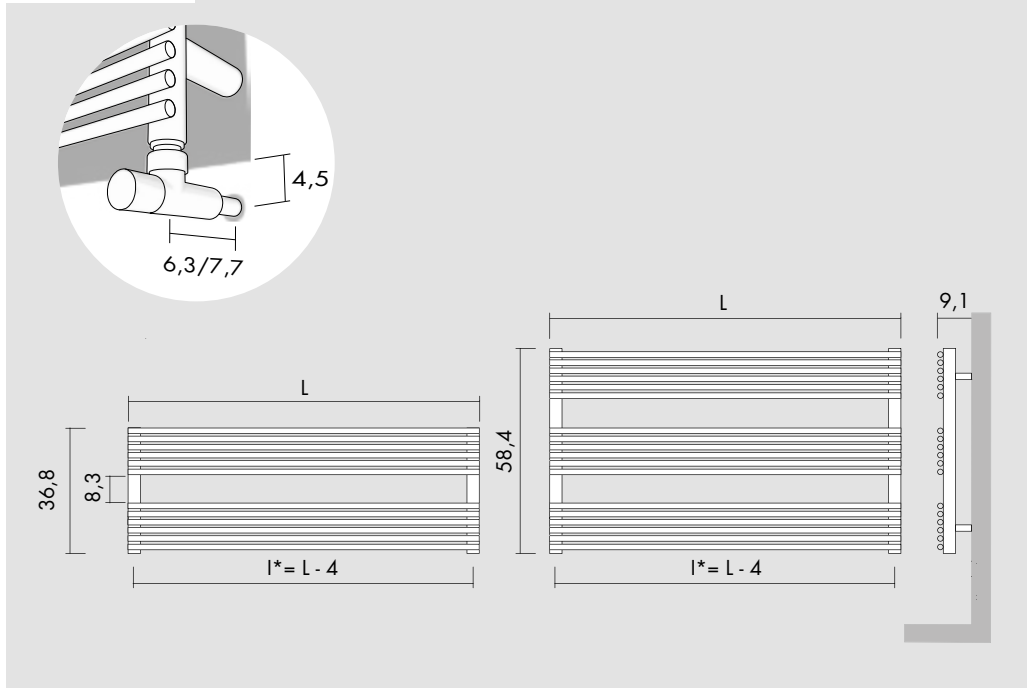
UNI EN 442 Δt 50° 75°/65°/20° - Δt 30° 55°/45°/20°



Kcal = Watt x 0.860  
BTU = Watt x 3.413

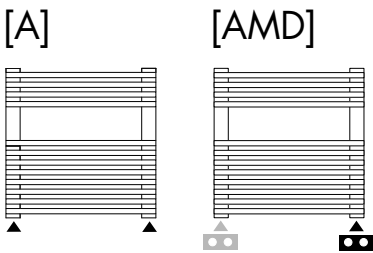
Watt Δt 60° = Watt Δt 50° x 1.241  
Watt Δt 40° = Watt Δt 50° x 0.768  
Watt Δt 30° = Watt Δt 50° x 0.546  
Watt Δt 20° = Watt Δt 50° x 0.338

p max = 10.0 bar

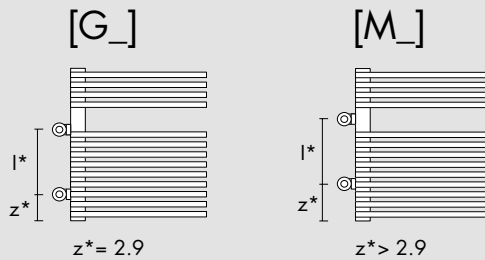


H cm	L cm	I* cm	art*	Lt*	watt Δt 30°	watt Δt 50°	watt Δt 30°	watt Δt 50°
36.8	120.0	116.0	<b>BD13S120036_</b>	2.6	252	<b>462</b>	169	<b>310</b>
36.8	140.0	136.0	<b>BD13S140036_</b>	2.9	294	<b>539</b>	197	<b>361</b>
36.8	160.0	156.0	<b>BD13S160036_</b>	3.3	336	<b>616</b>	225	<b>413</b>
58.4	120.0	116.0	<b>BD13S120058_</b>	4.0	378	<b>693</b>	253	<b>464</b>
58.4	140.0	136.0	<b>BD13S140058_</b>	4.5	442	<b>809</b>	296	<b>542</b>
58.4	160.0	156.0	<b>BD13S160058_</b>	4.9	505	<b>924</b>	338	<b>619</b>

Standard connection / Raccord standard  
Standard Anschluss / Conexión estándar



Special connection / Raccord spéciale / Speziell Anschluss / Conexión especial



Replace \_ with connection S (Left) or D (Right). / Remplacer le \_ avec raccordement S (Gauche) ou D (Droite). / Um linker oder rechter Anschluss zu bestellen, bitte das Symbol \_ mit S (links) oder D (rechts) ersetzen. / Sustituir el \_ con las conexiones S (Izquierda) o D (Derecha).

## Optional

<p>(P* = 202)</p>		<p>(I* = 5 cm)</p>	<p>∅ ≤ 16 mm [BIAN] <b>CTB</b> [CROM] <b>CTR</b></p> <p>16 mm &lt; ∅ &lt; 24 mm [BIAN] <b>CWB</b> [CROM] <b>CWR</b></p>	<p>(P* = 198)</p>
<p>Angled Valve Vanne équerre Eckausführung Ventil Válvula a escuadra</p> <p>[BIAN] <b>E12SQB</b> [CROM] <b>E12SQR</b></p>	<p>Thermostatic head Tête thermostatique Thermostatkopf Cabezal termostático</p> <p>[BIAN] <b>TTB</b> [CROM] <b>TTR</b></p>	<p>Sleeving kit Kit couvre tuyau Rosetten Kit cubre tubo</p> <p>[BIAN] <b>C5B</b> [CROM] <b>C5R</b></p>	<p>∅ ≤ 16 mm [BIAN] <b>CTB</b> [CROM] <b>CTR</b></p> <p>16 mm &lt; ∅ &lt; 24 mm [BIAN] <b>CWB</b> [CROM] <b>CWR</b></p>	<p>Towel hooks Paire de patère Crochet das Bugel Percha</p> <p>[CROM] <b>BA13R</b> [COLOUR] <b>BA13C</b> [GOLD] <b>BA13G</b></p>

art\* = item / modèle / Artikel / artículo    I\* = pipe centres / distance entre depart et retour / Achsabstand / distancia entre las conexiones  
Lt\* = water content for each element / volume d'eau pour chaque element / Wassergehalt für Element / contenido de agua por cada elemento  
P\* = page / page / Seite / página