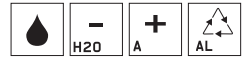


Tavola Liscia V

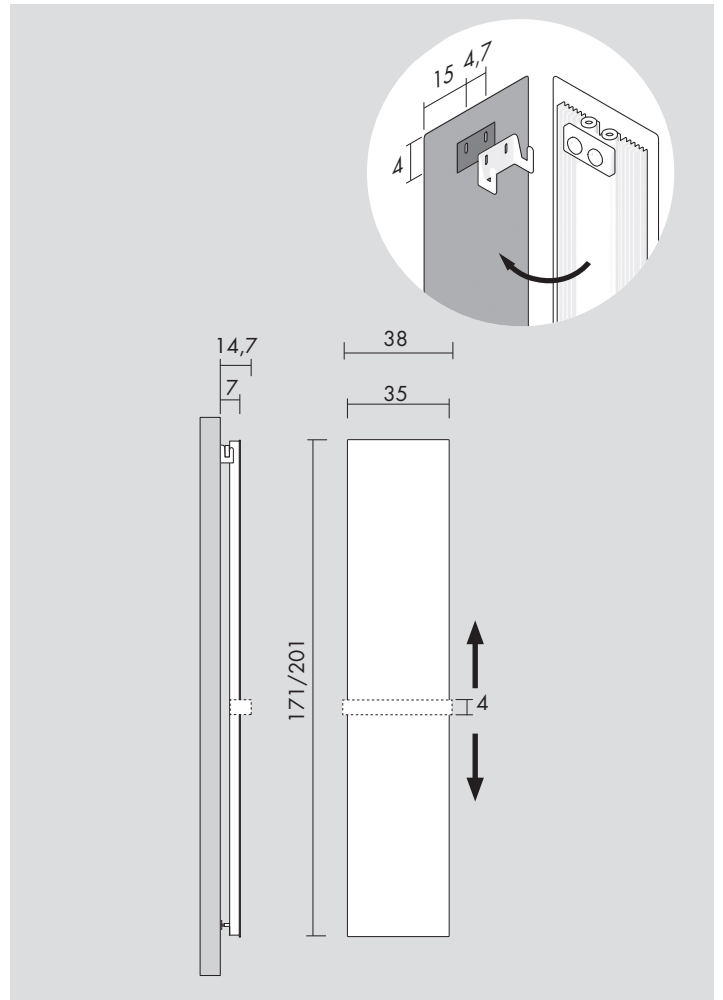
DESIGN ANDREA CROSETTA



Kcal = Watt x 0.860
BTU = Watt x 3.413

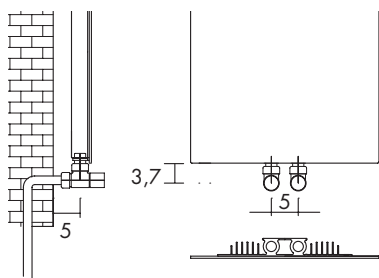
Watt Δt 60° = Watt Δt 50° x 1.277
Watt Δt 40° = Watt Δt 50° x 0.741
Watt Δt 30° = Watt Δt 50° x 0.504
Watt Δt 20° = Watt Δt 50° x 0.292

p max = 5.0 bar



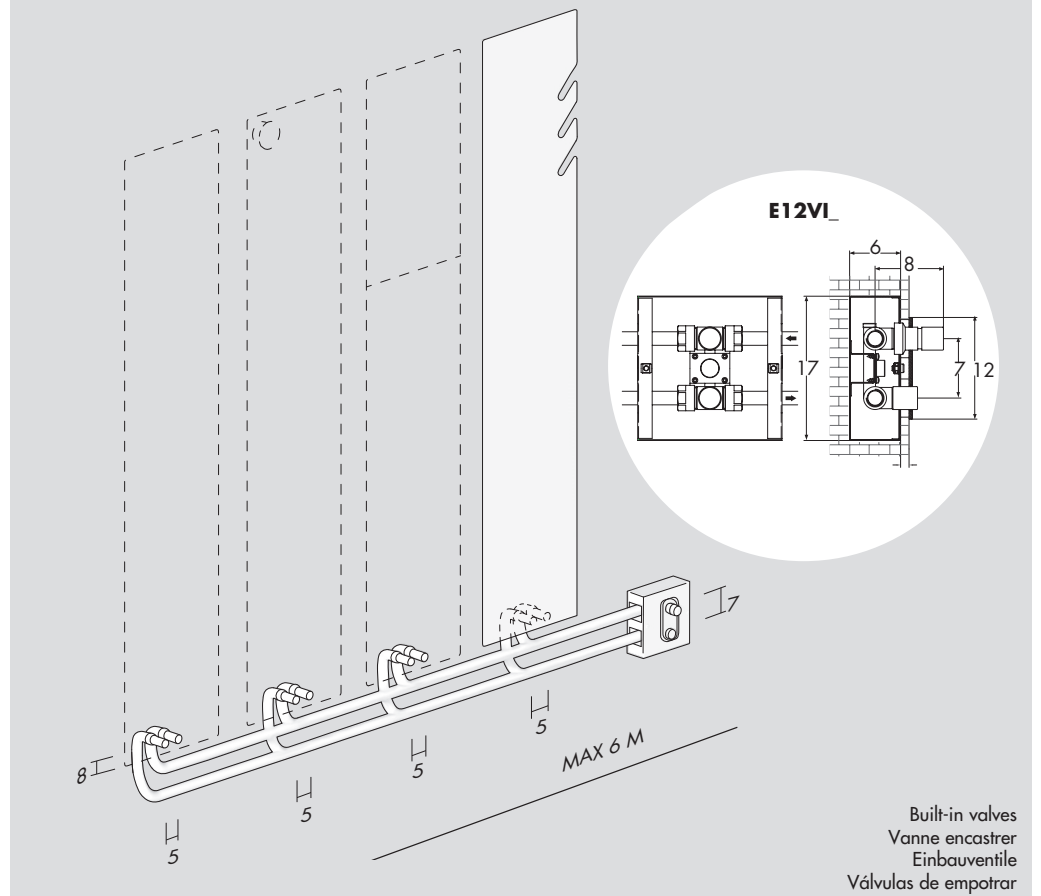
[F]

Standard connection / Raccord standard
Standard Anschluss / Conexión estándar



[H]

Special connection / Raccord spéciale / Speziell Anschluss / Conexión especial

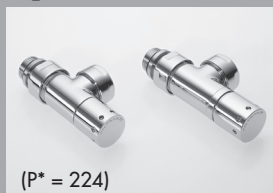


Built-in valves
Vanne encastrer
Einbauventile
Válvulas de empotrar

Tavola Liscia V

H cm	L cm	I* cm	art*	Lt*	watt Δt 30°	watt Δt 50°
171.0	35.0	5.0	TVLV171035_	1.2	270	536
201.0	35.0	5.0	TVLV201035_	1.4	314	623

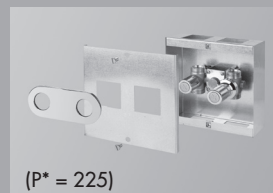
Optional



(P* = 224)

Reverse Valve
 Vanne reverse
 Reverse Ventil
 Válvula a escuadra inversa

[BIAN] **E12RVB**
 [CROM] **E12RVR**



(P* = 225)

Built-in valves
 Vanne encastrer
 Einbauventile
 Válvulas de empotrar

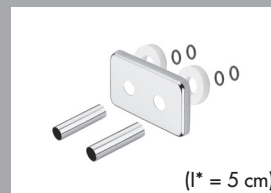
[BIAN] **E12VIB**
 [CROM] **E12VIR**



⚠ (P* 226)

Thermostatic head
 Tête thermostatique
 Thermostatkopf
 Cabezal termostático

[BIAN] **TTB**
 [CROM] **TTR**



(I* = 5 cm)

Sleeving kit
 Kit couvre tuyau
 Rosetten
 Kit cubre tubo

[BIAN] **C5B**
 [CROM] **C5R**



Towel hooks
 Patère
 Crochet das Bugel
 Percha

[CROM] **AFTR**
 [COLOUR] **AFTC**
 [GOLD] **AFTG**



Towel bar
 Porte-serviettes
 Handtuchhalter
 Porta toallas

[CROM] **MTFR**
 [COLOUR] **MTFC**
 [GOLD] **MTFG**

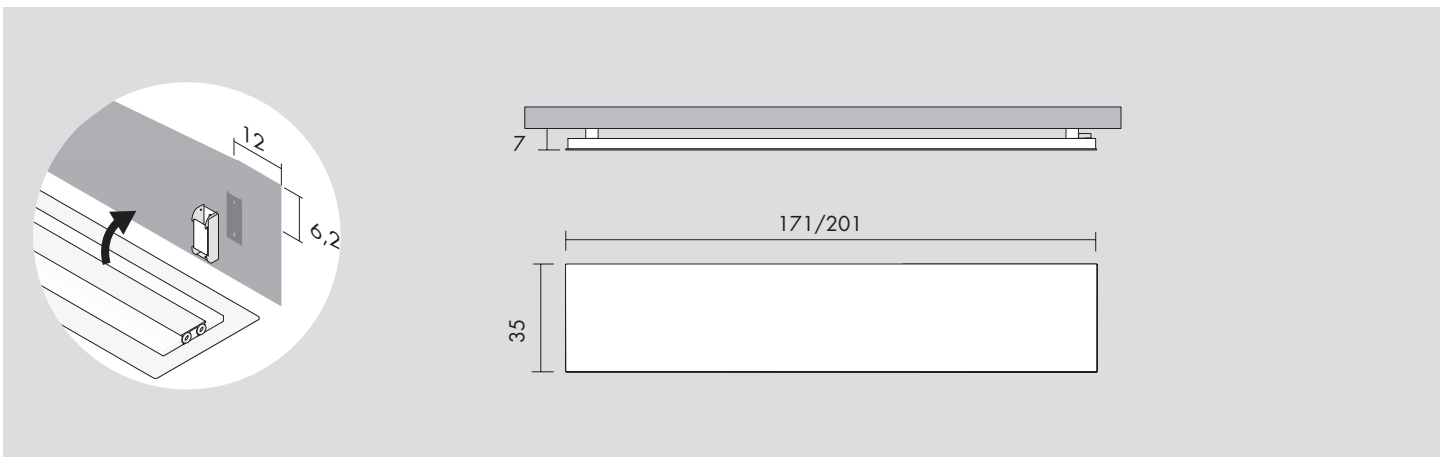
art* = item / modèle / Artikel / artículo **I*** = pipe centres / distance entre depart et retour / Achsabstand / distancia entre las conexiones
Lt* = water content for each element / volume d'eau pour chaque element / Wassergehalt für Element / contenido de agua por cada elemento
P* = page / page / Seite / página



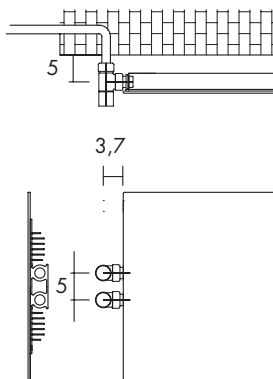
Kcal = Watt x 0.860
BTU = Watt x 3.413

Watt Δt 60° = Watt Δt 50° x 1.277
Watt Δt 40° = Watt Δt 50° x 0.741
Watt Δt 30° = Watt Δt 50° x 0.504
Watt Δt 20° = Watt Δt 50° x 0.292

p max = 5.0 bar



[F]
Standard connection / Raccord standard
Standard Anschluss / Conexión estándar



[H]
Special connection / Raccord spéciale / Speziell Anschluss / Conexión especial

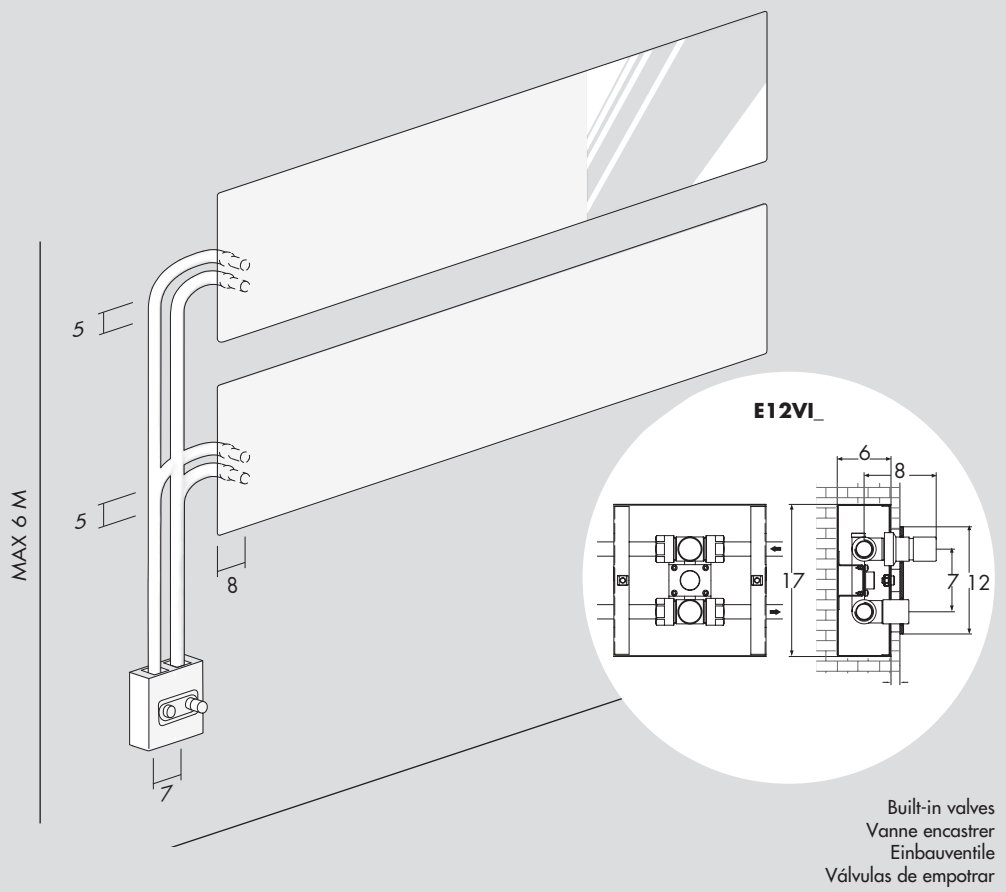


Tavola Liscia O

H cm	L cm	I* cm	art*	lit*	watt Δt 30°	watt Δt 50°
35.0	171.0	5.0	TVLO171035_	1.2	264	523
35.0	201.0	5.0	TVLO201035_	1.4	310	616

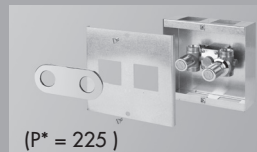
Optional



(P* = 224)

Angled Valve
 Vanne équerre
 Eckausführung Ventil
 Válvula a escuadra

[BIAN] **E12SQB**
 [CROM] **E12SQR**



(P* = 225)

Built-in valves
 Vanne encastrer
 Einbauventile
 Válvulas de empotrar

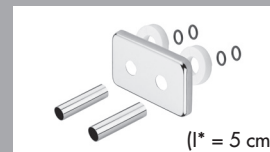
[BIAN] **E12VIB**
 [CROM] **E12VIR**



⚠ (P* 226)

Thermostatic head
 Tête thermostatique
 Thermostatkopf
 Cabezal termostático

[BIAN] **TTB**
 [CROM] **TTR**



(I* = 5 cm)

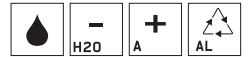
Sleeving kit
 Kit couvre tuyau
 Rosetten
 Kit cubre tubo

[BIAN] **C5B**
 [CROM] **C5R**

art* = item / modèle / Artikel / artículo **I*** = pipe centres / distance entre départ et retour / Achsabstand / distancia entre las conexiones
lit* = water content for each element / volume d'eau pour chaque element / Wassergehalt für Element / contenido de agua por cada elemento
P* = page / page / Seite / página

Tavola Porta Accappatoio

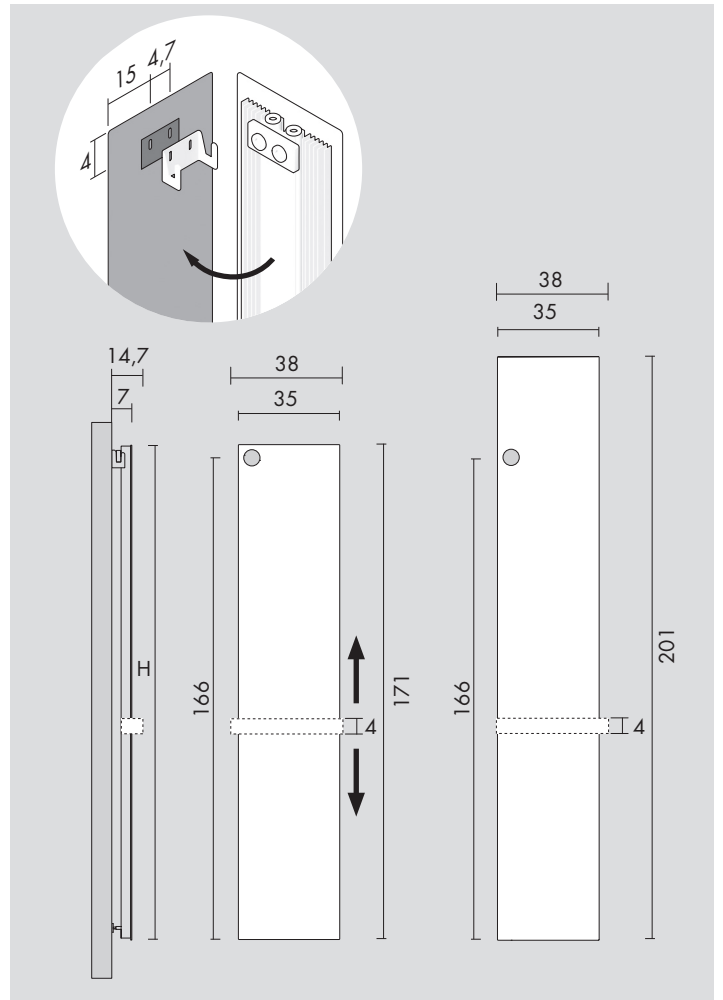
DESIGN ANDREA CROSETTA



Kcal = Watt x 0.860
BTU = Watt x 3.413

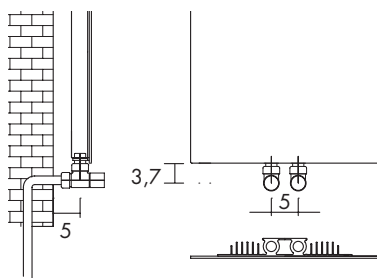
Watt Δt 60° = Watt Δt 50° x 1.277
Watt Δt 40° = Watt Δt 50° x 0.741
Watt Δt 30° = Watt Δt 50° x 0.504
Watt Δt 20° = Watt Δt 50° x 0.292

p max = 5.0 bar



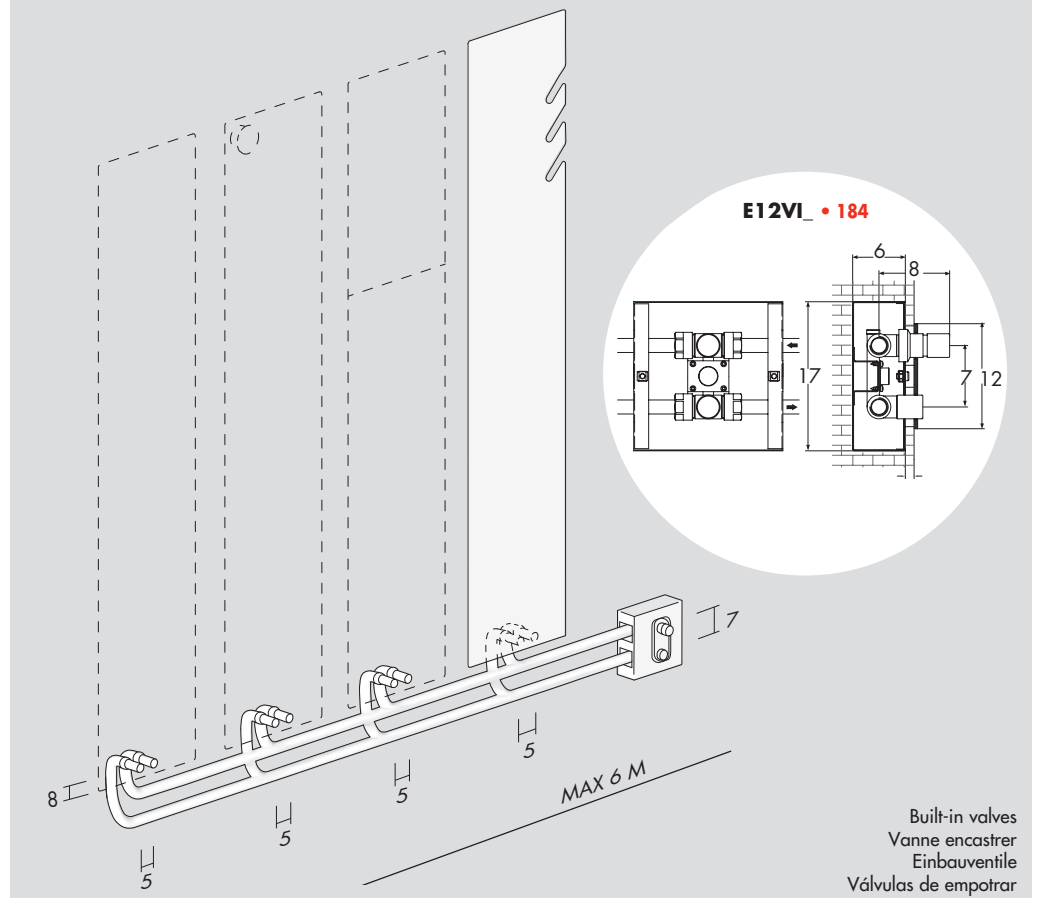
[F]

Standard connection / Raccord standard
Standard Anschluss / Conexión estándar



[H]

Special connection / Raccord spéciale / Speziell Anschluss / Conexión especial + • 23

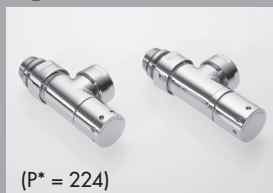


Built-in valves
Vanne encastrer
Einbauventile
Válvulas de empotrar

Tavola Porta Accappatoio

H cm	L cm	I* cm	art*	Lt*	watt Δt 30°	watt Δt 50°
171.0	35.0	5.0	TVPV171035	1.2	270	536
201.0	35.0	5.0	TVPV201035	1.4	314	623

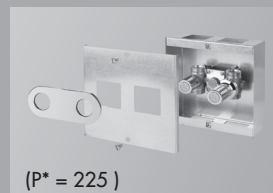
Optional



(P* = 224)

Reverse Valve
 Vanne reverse
 Reverse Ventil
 Válvula a escuadra inversa

[BIAN] **E12RVB**
 [CROM] **E12RVR**



(P* = 225)

Built-in valves
 Vanne encastrer
 Einbauventile
 Válvulas de empotrar

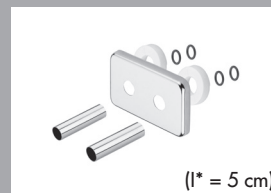
[BIAN] **E12VIB**
 [CROM] **E12VIR**



⚠ (P* 226)

Thermostatic head
 Tête thermostatique
 Thermostatkopf
 Cabezal termostático

[BIAN] **TTB**
 [CROM] **TTR**



(I* = 5 cm)

Sleeving kit
 Kit couvre tuyau
 Rosetten
 Kit cubre tubo

[BIAN] **C5B**
 [CROM] **C5R**



Towel hooks
 Patère chrome
 Crochet das Bugel
 Percha

[COLOUR] **STVC**
 [GOLD] **STVG**



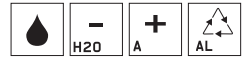
Towel bar
 Porte-serviettes
 Handtuchhalter
 Porta toallas

[CROM] **MTFR**
 [COLOUR] **MTFC**
 [GOLD] **MTFG**

art* = item / modèle / Artikel / artículo **I*** = pipe centres / distance entre depart et retour / Achsabstand / distancia entre las conexiones
Lt* = water content for each element / volume d'eau pour chaque element / Wassergehalt für Element / contenido de agua por cada elemento
P* = page / page / Seite / página

Tavola 3 Spacchi

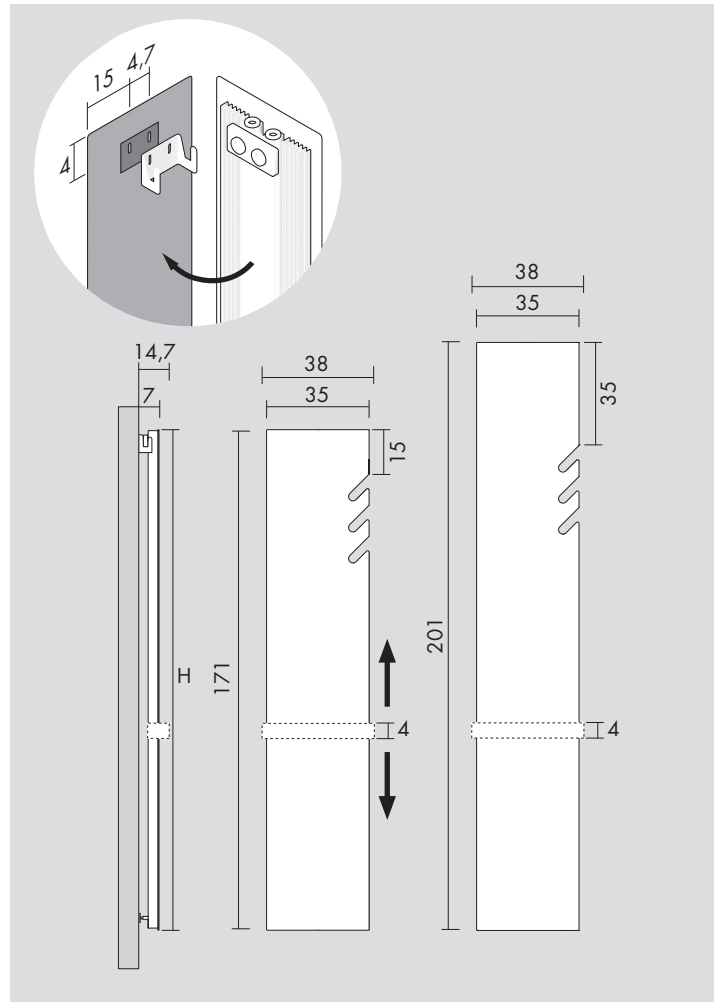
DESIGN ANDREA CROSETTA



Kcal = Watt x 0.860
BTU = Watt x 3.413

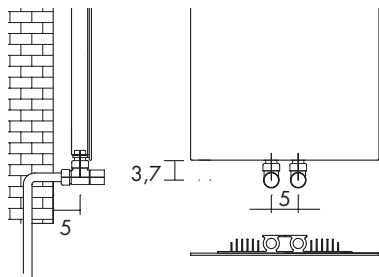
Watt Δt 60° = Watt Δt 50° x 1.277
Watt Δt 40° = Watt Δt 50° x 0.741
Watt Δt 30° = Watt Δt 50° x 0.504
Watt Δt 20° = Watt Δt 50° x 0.292

p max = 5.0 bar



[F]

Standard connection / Raccord standard
Standard Anschluss / Conexión estándar



[H]

Special connection / Raccord spéciale / Speziell Anschluss / Conexión especial

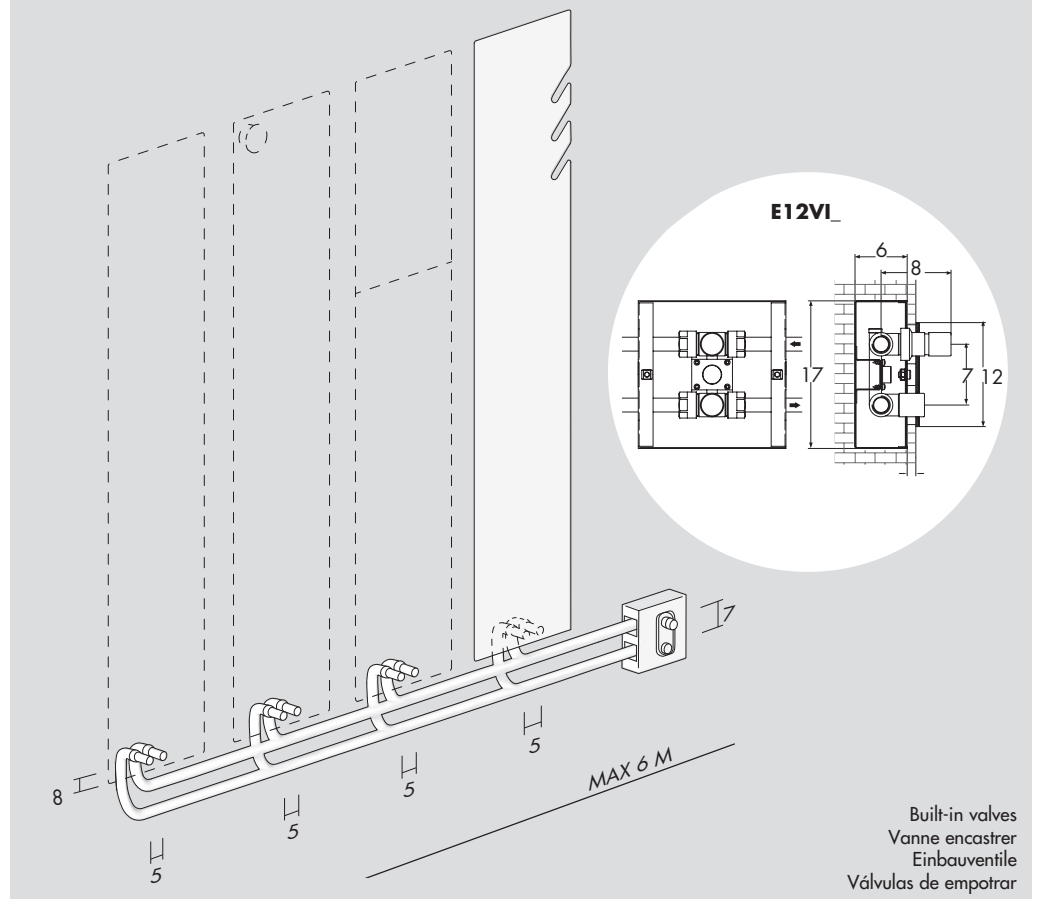


Tavola 3 Spacchi

H cm	L cm	I* cm	art*	Lt*	watt Δt 30°	watt Δt 50°
171.0	35.0	5.0	TV3V171035_	1 2	270	536
201.0	35.0	5.0	TV3V201035_	1 4	314	623

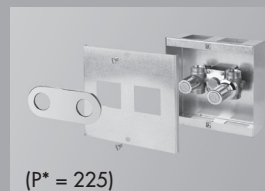
Optional



(P* = 224)

Reverse Valve
 Vanne reverse
 Reverse Ventil
 Válvula a escuadra inversa

[BIAN] **E12RVB**
 [CROM] **E12RVR**



(P* = 225)

Built-in valves
 Vanne encastrer
 Einbauventile
 Válvulas de empotrar

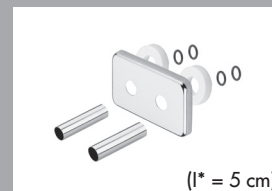
[BIAN] **E12VIB**
 [CROM] **E12VIR**



⚠ (P* 226)

Thermostatic head
 Tête thermostatique
 Thermostatkopf
 Cabezal termostático

[BIAN] **TTB**
 [CROM] **TTR**



(I* = 5 cm)

Sleeving kit
 Kit couvre tuyau
 Rosetten
 Kit cubre tubo

[BIAN] **C5B**
 [CROM] **C5R**



Towel hooks
 Patère
 Crochet das Bugel
 Percha

[CROM] **AFTR**
 [COLOUR] **AFTC**
 [GOLD] **AFTG**



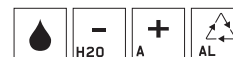
Towel bar
 Porte-serviettes
 Handtuchhalter
 Porta toallas

[CROM] **MTFR**
 [COLOUR] **MTFC**
 [GOLD] **MTFG**

art* = item / modèle / Artikel / artículo **I*** = pipe centres / distance entre depart et retour / Achsabstand / distancia entre las conexiones
Lt* = water content for each element / volume d'eau pour chaque element / Wassergehalt für Element / contenido de agua por cada elemento
P* = page / page / Seite / página

Tavola Specchio V

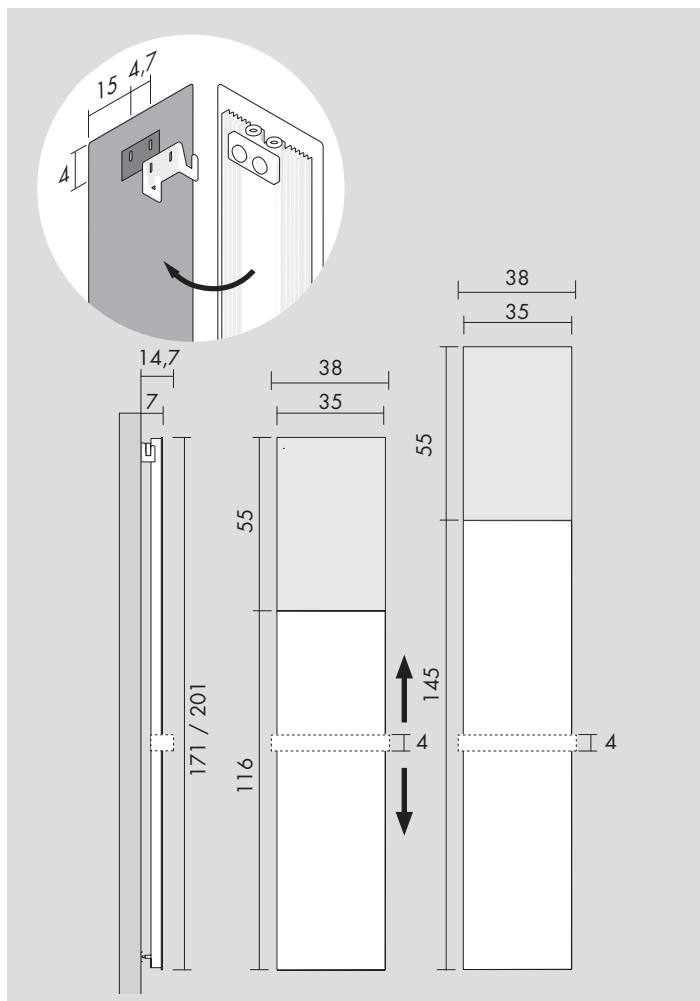
DESIGN ANDREA CROSETTA



Kcal = Watt x 0.860
BTU = Watt x 3.413

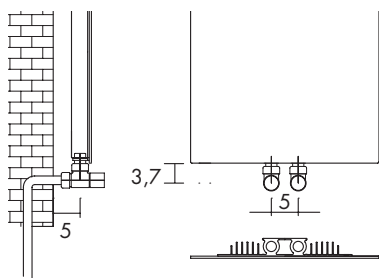
Watt Δt 60° = Watt Δt 50° x 1.277
Watt Δt 40° = Watt Δt 50° x 0.741
Watt Δt 30° = Watt Δt 50° x 0.504
Watt Δt 20° = Watt Δt 50° x 0.292

p max = 5.0 bar



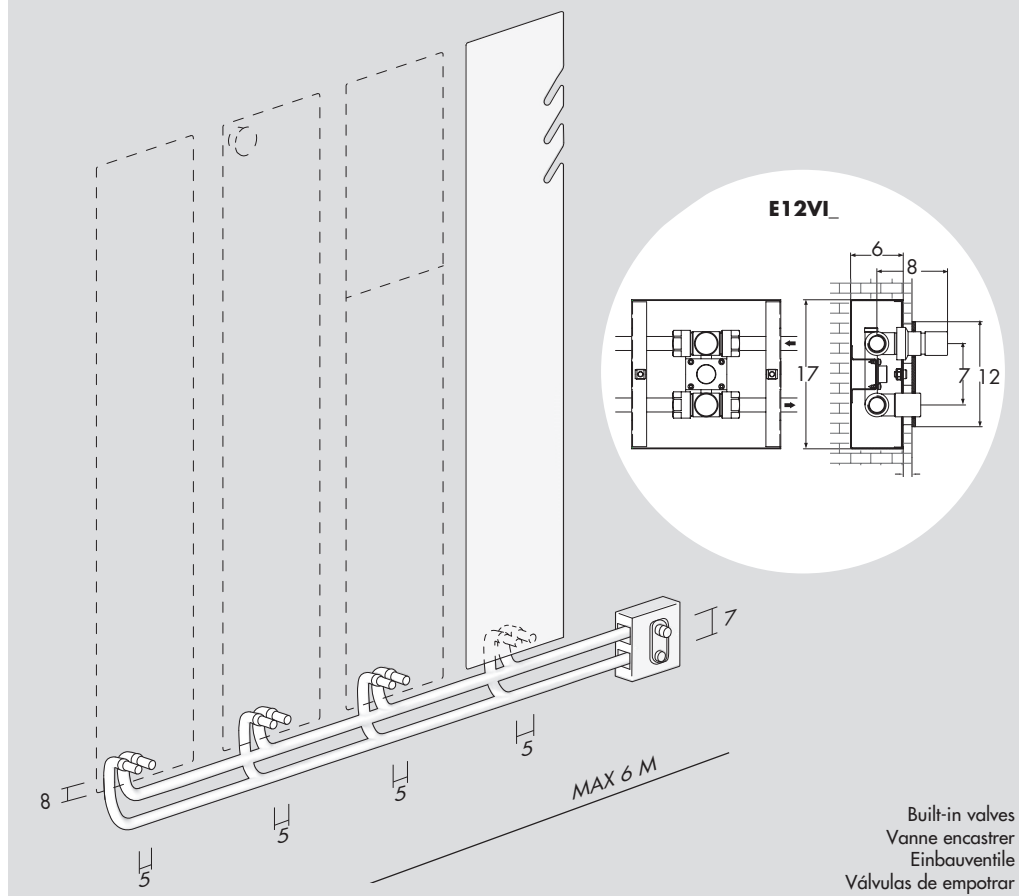
[F]

Standard connection / Raccord standard
Standard Anschluss / Conexión estándar



[H]

Special connection / Raccord spéciale / Speziell Anschluss / Conexión especial

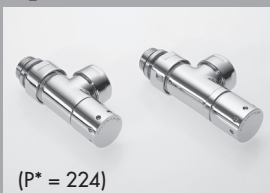


Built-in valves
Vanne encastrer
Einbauventile
Válvulas de empotrar

Tavola Specchio V

H cm	L cm	I* cm	art*	Lt*	watt Δt 30°	watt Δt 50°
171.0	35.0	5.0	TVSV171035_	1.2	258	512
201.0	35.0	5.0	TVSV201035_	1.4	305	606

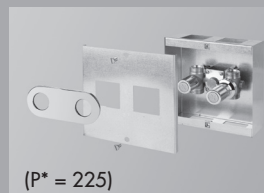
Optional



(P* = 224)

Reverse Valve
 Vanne reverse
 Reverse Ventil
 Válvula a escuadra inversa

[BIAN] **E12RVB**
 [CROM] **E12RVR**



(P* = 225)

Built-in valves
 Vanne encastrer
 Einbauventile
 Válvulas de empotrar

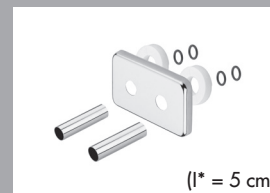
[BIAN] **E12VIB**
 [CROM] **E12VIR**



⚠ (P* 226)

Thermostatic head
 Tête thermostatique
 Thermostatkopf
 Cabezal termostático

[BIAN] **TTB**
 [CROM] **TTR**



(I* = 5 cm)

Sleeving kit
 Kit couvre tuyau
 Rosetten
 Kit cubre tubo

[BIAN] **C5B**
 [CROM] **C5R**



Towel bar
 Porte-serviettes
 Handtuchhalter
 Porta toallas

[CROM] **MTFR**
 [COLOUR] **MTFC**
 [GOLD] **MTFG**

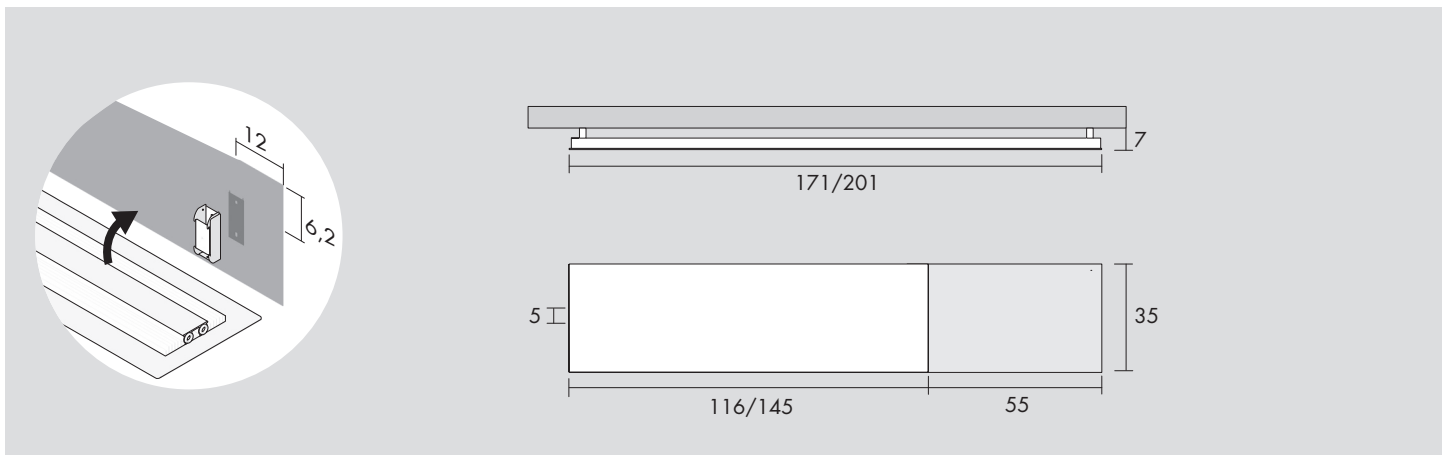
art* = item / modèle / Artikel / artículo **I*** = pipe centres / distance entre depart et retour / Achsabstand / distancia entre las conexiones
Lt* = water content for each element / volume d'eau pour chaque element / Wassergehalt für Element / contenido de agua por cada elemento
P* = page / page / Seite / página



Kcal = Watt x 0.860
 BTU = Watt x 3.413

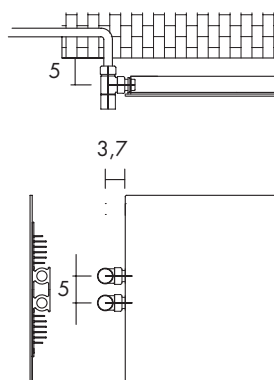
Watt Δt 60° = Watt Δt 50° x 1.277
 Watt Δt 40° = Watt Δt 50° x 0.741
 Watt Δt 30° = Watt Δt 50° x 0.504
 Watt Δt 20° = Watt Δt 50° x 0.292

p max = 5.0 bar



[F]

Standard connection / Raccord standard
 Standard Anschluss / Conexión estándar



[H]

Special connection / Raccord spéciale / Speziell Anschluss / Conexión especial

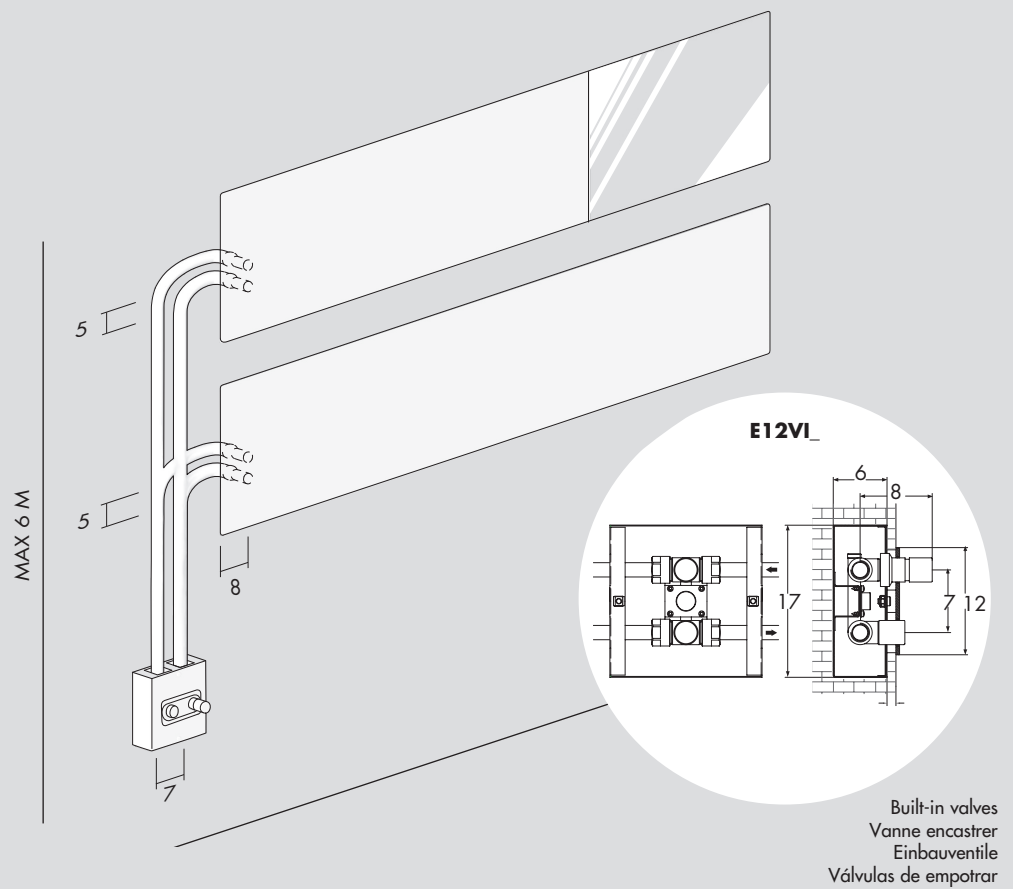


Tavola Specchio O

H cm	L cm	I* cm	art*	lit*	watt Δt 30°	watt Δt 50°
35.0	171.0	5.0	TVSO171035_	1.2	251	499
35.0	201.0	5.0	TVSO201035_	1.4	302	599

Optional



(P* = 224)

Angled Valve
 Vanne équerre
 Eckausführung Ventil
 Válvula a escuadra

[BIAN] **E12SQB**
 [CROM] **E12SQR**



(P* = 225)

Built-in valves
 Vanne encastrer
 Einbauventile
 Válvulas de empotrar

[BIAN] **E12VIB**
 [CROM] **E12VIR**



⚠ (P* 226)

Thermostatic head
 Tête thermostatique
 Thermostatkopf
 Cabezal termostático

[BIAN] **TTB**
 [CROM] **TTR**



(I* = 5 cm)

Sleeving kit
 Kit couvre tuyau
 Rosetten
 Kit cubre tubo

[BIAN] **C5B**
 [CROM] **C5R**

art* = item / modèle / Artikel / artículo **I*** = pipe centres / distance entre départ et retour / Achsabstand / distancia entre las conexiones
lit* = water content for each element / volume d'eau pour chaque element / Wassergehalt für Element / contenido de agua por cada elemento
P* = page / page / Seite / página